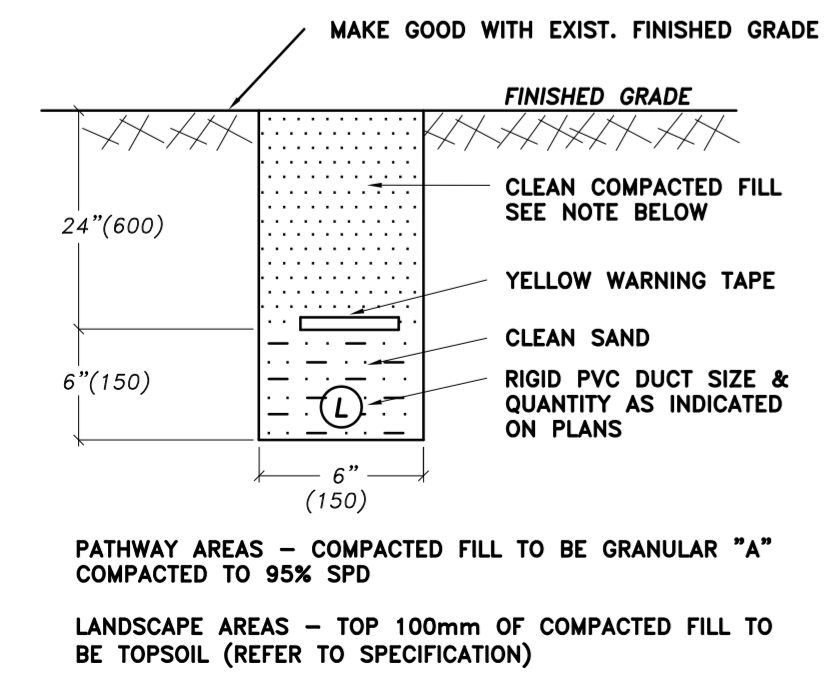
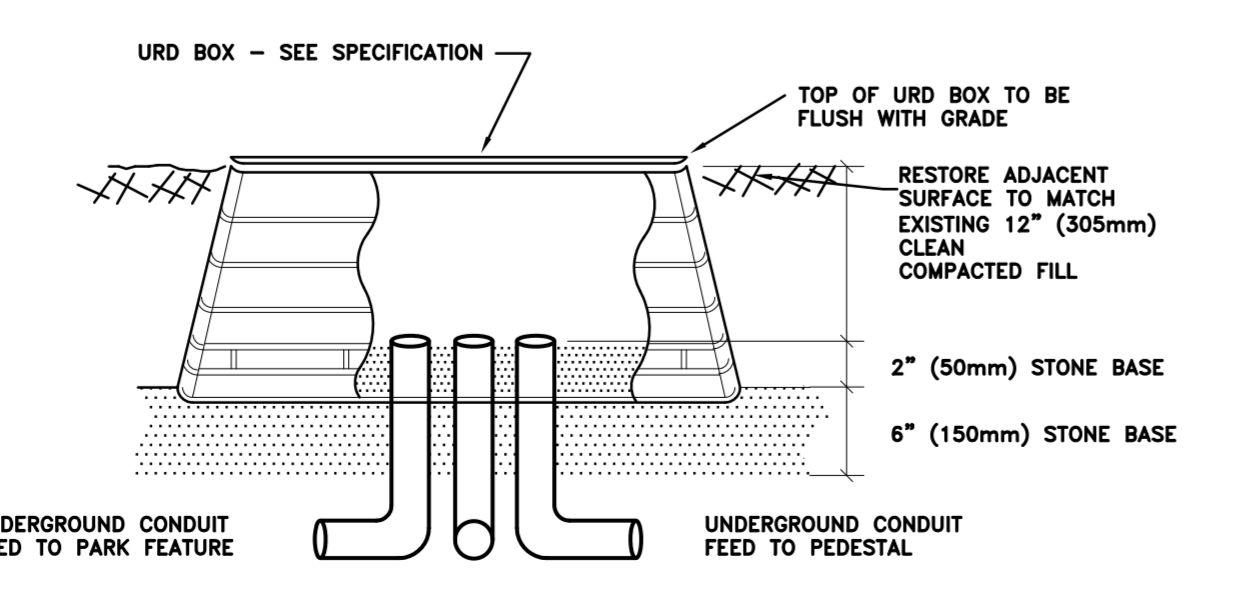


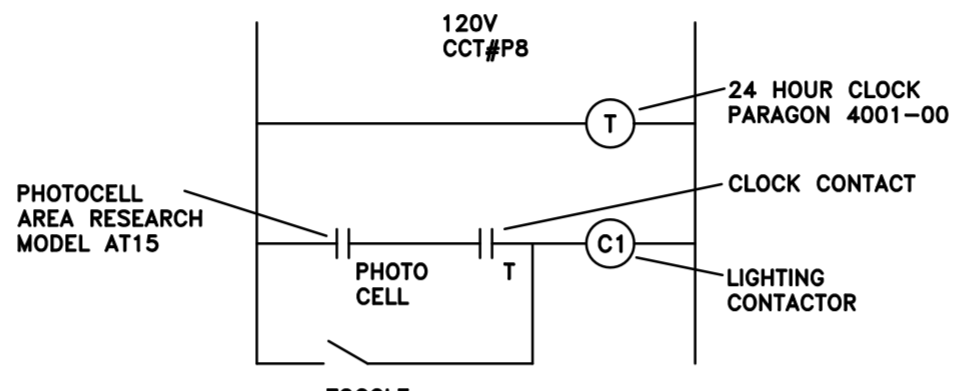
PARK PHASE 1 - SITE PLAN
SCALE: 1 : 300



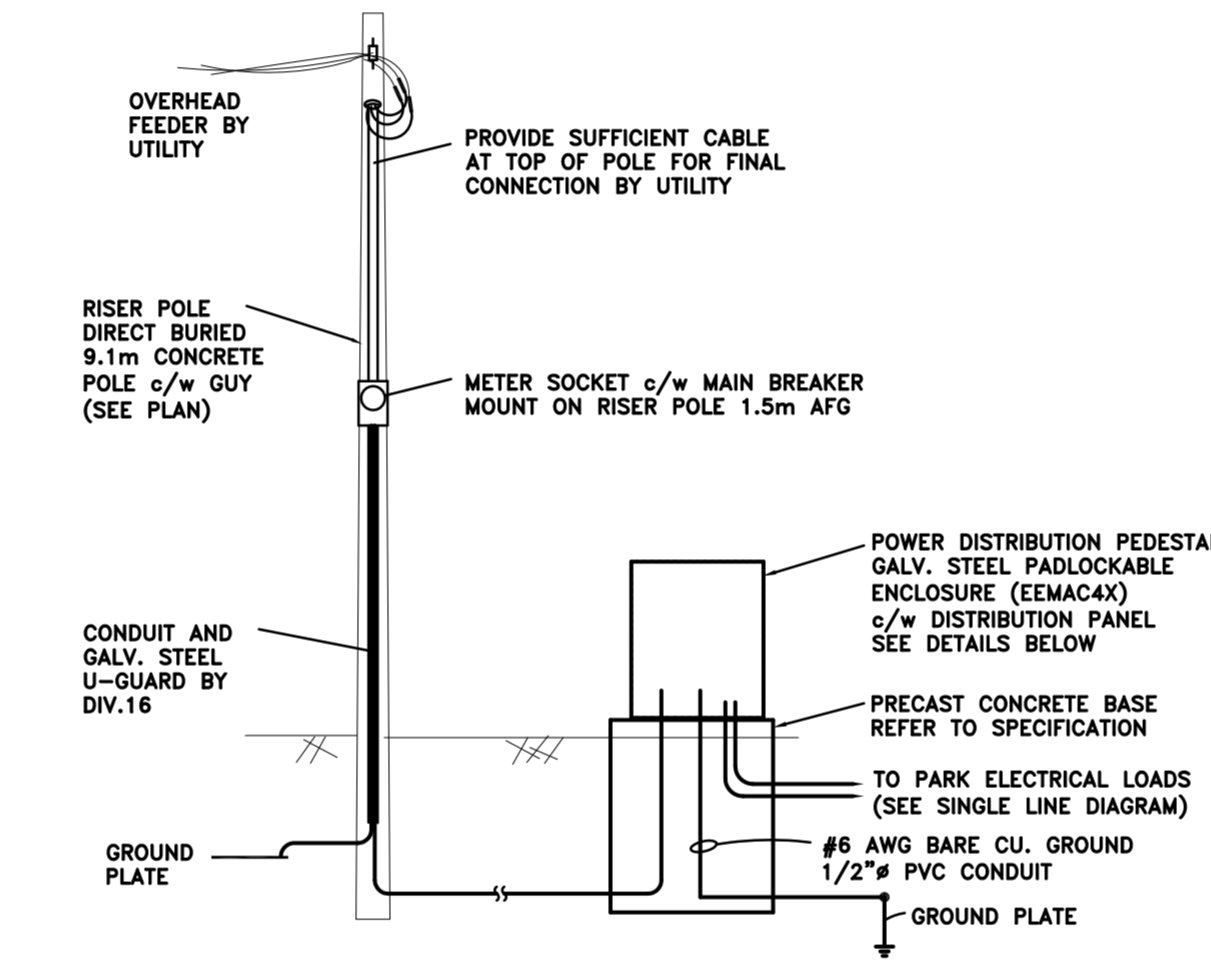
TRENCH DETAIL
NTS



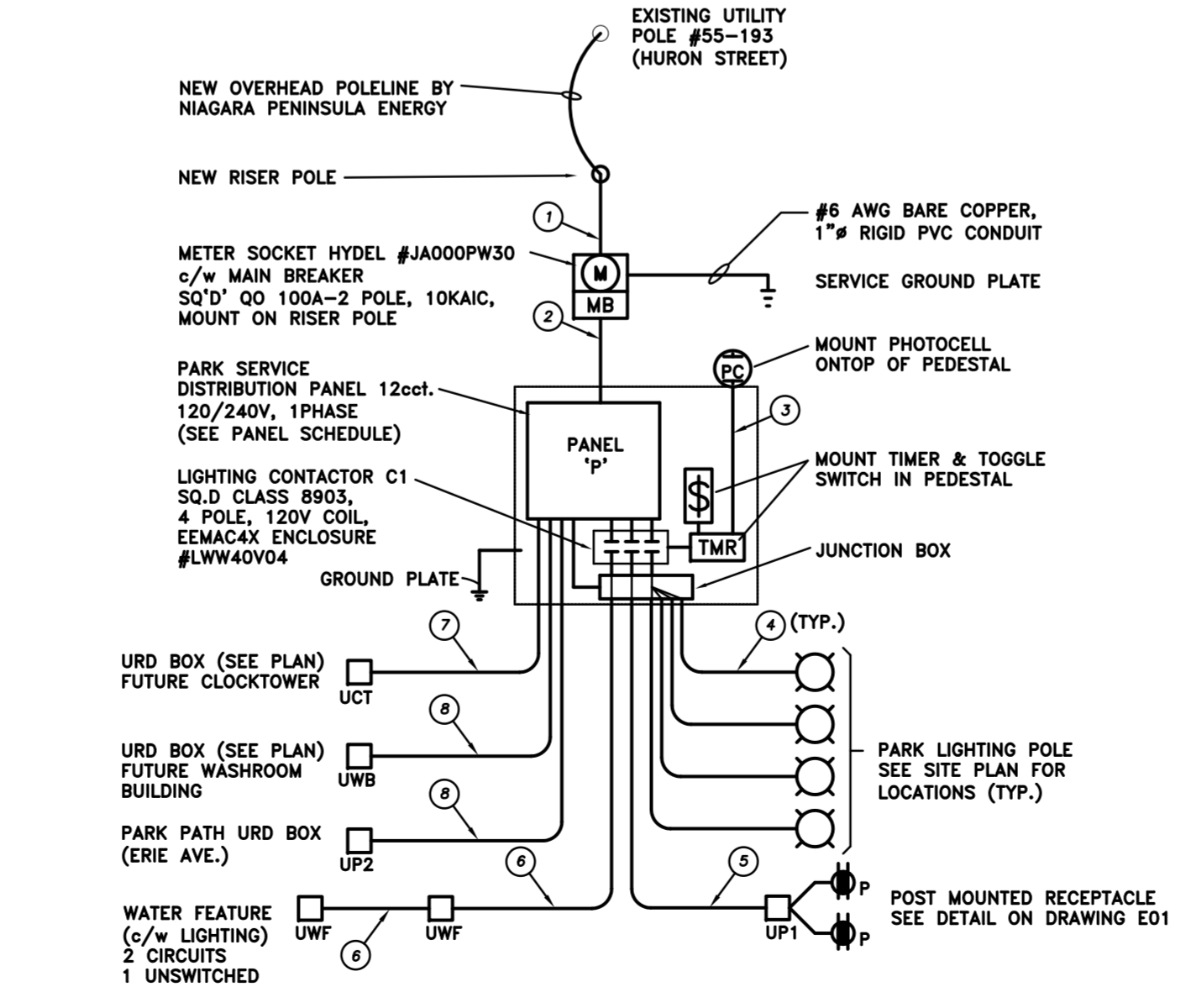
URD BOX DETAIL - ELEVATION
NTS



CONTROL SCHEMATIC



PARK SERVICE & DISTRIBUTION DETAIL
NTS

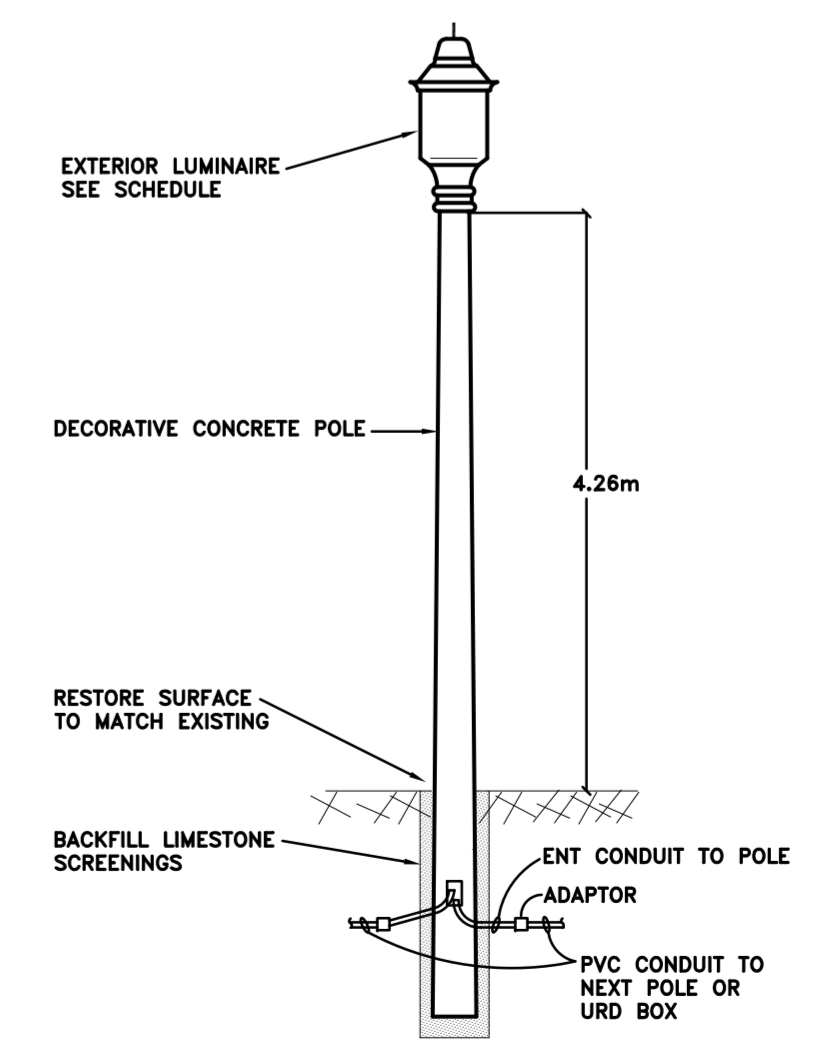
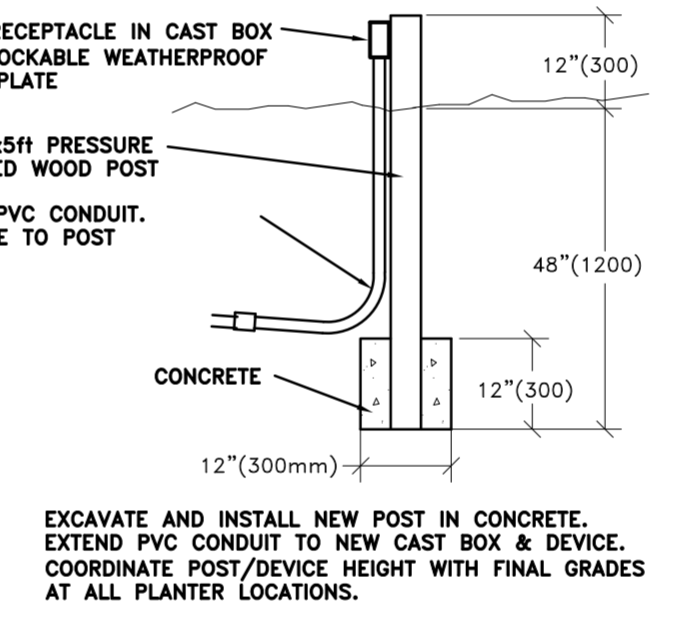


PARK ELECTRICAL SERVICE - SINGLE LINE DIAGRAM
SCALE: NONE

CABLE LEGEND

- ① 3-#3 AWG CU. RWU90 XLPE, + 1c-#6 AWG CU. RWU90 XLPE GROUND, 2" RIGID AL. c/w WEATHERHEAD 2" PVC SCHED.40 CONDUIT BELOW GRADE
- ② 3c-#3 AWG CU. RWU90 XLPE + 1c-#6 AWG CU. RWU90 XLPE BOND, 2" RIGID SCHED.40 CONDUIT
- ③ 2c-#12 AWG CU. RWU90 XLPE, 1" RIGID AL. CONDUIT
- ④ 2c-#10 AWG CU. RWU90 XLPE + 1c-#10 AWG CU. RWU90 XLPE BOND, 1" RIGID SCHED.40 CONDUIT
- ⑤ 2c-#10 AWG CU. RWU90 XLPE + 1c-#10 AWG CU. RWU90 XLPE BOND, 1" RIGID SCHED.40 CONDUIT
- ⑥ 4c-#10 AWG CU. RWU90 XLPE + 1c-#10 AWG CU. RWU90 XLPE BOND, 1" RIGID SCHED.40 CONDUIT
- ⑦ 1" RIGID SCHED.40 CONDUIT c/w 3/16" POLY-PULL CORD
- ⑧ 1" RIGID SCHED.40 CONDUIT c/w 3/16" POLY-PULL CORD

RAISED PLANTER/GARDEN GFCI RECEPTACLE MOUNTING DETAIL
NTS



TYPE 'A' & 'B' FIXTURES LIGHTING POLE DETAIL
NTS

NOTES

1. SEE SPECIFICATION FOR RESTORATION REQUIREMENTS.
2. DIVISION 16 TO OBTAIN ALL LOCATES.

LINE LEGEND

- S- NEW UNDERGROUND SERVICE TO PARK POWER PEDESTAL SEE TRENCH DETAIL
- L- NEW UNDERGROUND PARK RACEWAY SEE TRENCH DETAIL
- OH- OVERHEAD HYDRO POLELINE SEE NOTES ON PLANS

SYMBOL SCHEDULE

- URD BOX
- POLE MOUNTED LIGHTING FIXTURE SEE SPECIFICATION
- EXISTING STREET LIGHT POLE SEE NOTES ON PLAN
- PROPOSED POST MOUNTED DUPLEX GFCI RECEPTACLE SEE DETAIL
- EX DENOTES EXISTING TO REMAIN
- RL DENOTES EXISTING DEVICE TO BE RELOCATED



Engineering Concepts Niagara
Professional Mechanical & Electrical Engineers
82 LAKE STREET • ST. CATHARINES, ONTARIO L2R 5X4
TEL: (905) 687-7410 FAX: (905) 687-9921
email: admin@ecniagara.com

DATE:	MAY 2011
SCALE:	AS SHOWN
DRAWN BY:	S. DOB
CHECKED BY:	R. STASAK
ISSUED FOR TENDER:	2011/09/26
ISSUED FOR COMMENTS:	2011/09/13
REVISION:	
DRAWING REVISIONS:	

DO NOT SCALE THESE DRAWINGS. REPORT ALL DISCREPANCIES TO THE ENGINEER PRIOR TO COMMENCING CONSTRUCTION. THESE DRAWINGS ARE PREPARED SOLELY FOR THE USE OF THE PARTY WITH WHOM THE ENGINEER HAS ENTERED INTO A CONTRACT WITH. THESE DRAWINGS ARE NOT VALID FOR CONSTRUCTION UNTIL SCALED AND SIGNED BY THE ENGINEER. THESE DESIGN DOCUMENTS ARE PREPARED SOLELY FOR THE USE OF THE PARTY WITH WHOM THE ENGINEER HAS ENTERED INTO A CONTRACT WITH. ANY OTHER PARTY THAT HAS NOT ENTERED INTO A CONTRACT WITH THE ENGINEER SHALL BE RESPONSIBLE FOR OBTAINING THE NECESSARY PERMISSIONS FROM THE ENGINEER.

PROJECT TITLE:
City of Niagara Falls
DOWNTOWN PARK (PHASE 1)

Queen Street, Niagara Falls, ON

SHEET TITLE:
E01
ELECTRICAL
PARK PLAN & DETAILS

JOB NO.: A0771

DWG. NO.: E01